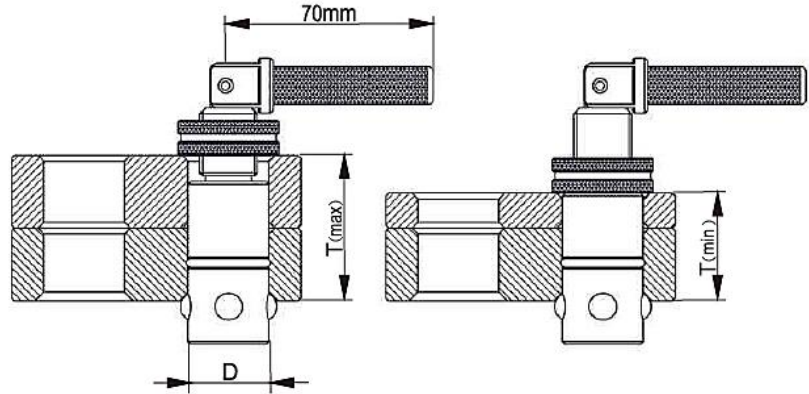


ADJUSTABLE LOCKING BOLT ACCESSORIES



PRODUCT INTRODUCTION:

- For workpiece with different thickness
- Use when position of locators changed frequently
- Locking length range as specification

SPECIFICATION :

Size(DxT) mm	D16 Part No.	Size(DxT) mm	D22 Part No.	Size(DxT) mm	D28 Part No.
$\phi 16 \times (17 \leq T \leq 26)$	YHD16BS1624	$\phi 22 \times (23 \leq T \leq 38)$	YHD22BS2236	$\phi 28 \times (30 \leq T \leq 52)$	YHD28BS2850